

# SATURN S8

AUTOMATIC ROTARY RING STRETCH WRAPPER

MAXIMUM  
CAPACITY

UP TO

**160**

pallets/hour



THE FASTEST  
ONE

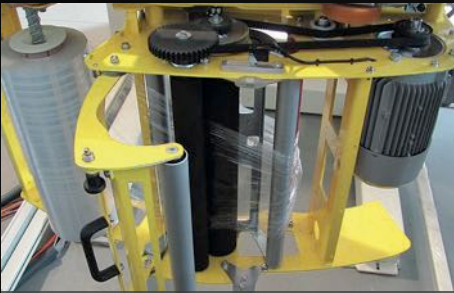
# MOVITEC

WRAPPING TECHNOLOGY

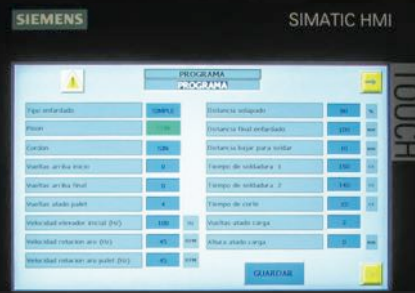
we dare to try anything

- **MAXIMUM CAPACITY:** up to 160 pallets/hour.
- Maximum quality, high performance and minimum maintenance.
- Double unwinding head.
- The load remains static: the film reels rotate around the load.
- Guaranteed savings of stretch film: 300% film pre-stretching.
- 1m of film becomes 4 m.
- Finishing without tails of film thanks to our efficient cut and welding device.
- Electronic and self-adjusting tension control depending on the profile of the load.
- Possibility of applying efficient dustproof and rainproof wrappings.
- Possibility of wrapping at ground level.
- Capable of applying bands (strips) at any height of the load.

## STANDARD EQUIPMENT



Quick-Load: Quick change of the reel



Touch panel

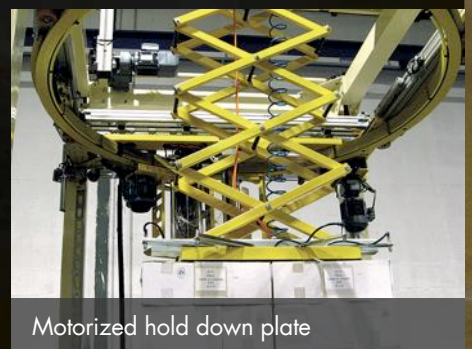
## OPTIONALS



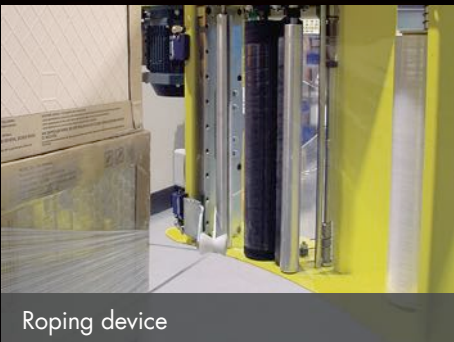
Top sheet dispenser



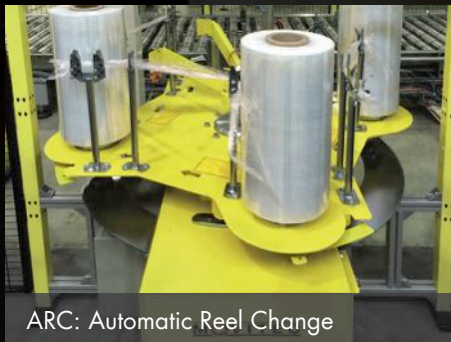
Independent top sheet dispenser



Motorized hold down plate



Roping device



ARC: Automatic Reel Change



EPS: Electronic Pre-stretch System

# SATURN S8

MAXIMUM  
CAPACITY

UP TO

**160**

pallets/hour



T3

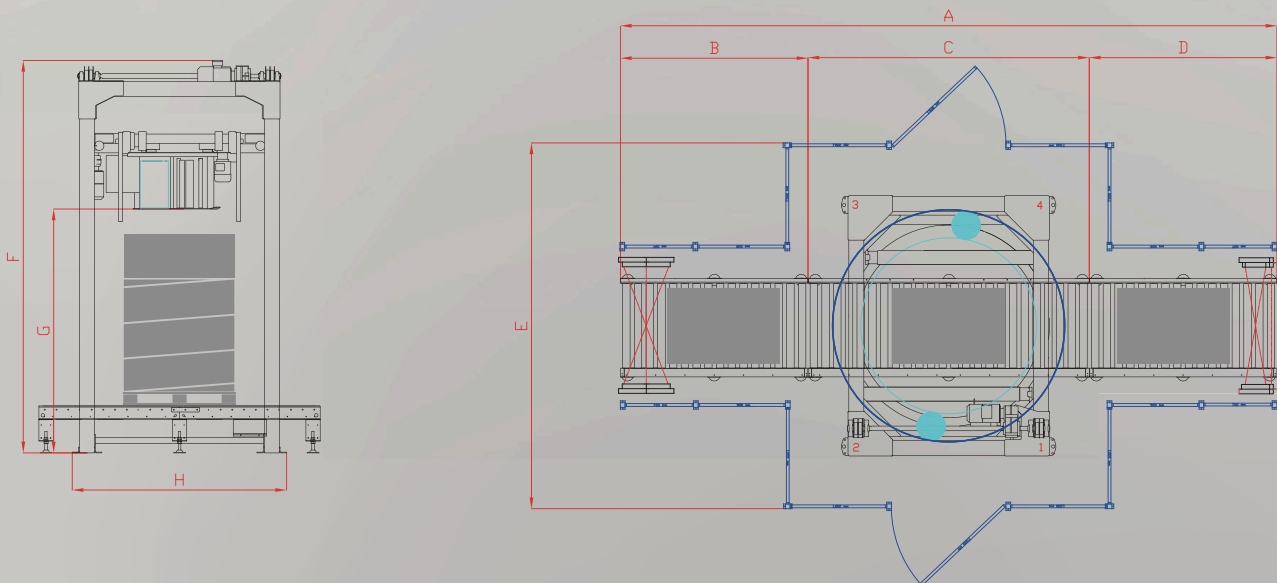
# SATURN S8

## AUTOMATIC ROTATING RING STRETCH WRAPPING MACHINE



		D17	D20	D23	D26
<b>PRODUCTION</b>	Maximum capacity (p/h)	160	150	130	125
<b>MACHINERY DIMENSIONS</b>	A (mm)	7000		10000	
	B (mm)	2000		3000	
	C (mm)	3000		4000	
	D (mm)	2000		3000	
	E (mm)	3900	3900	4500	4900
	F (mm)	4200 *			
	G (mm)	2600 *			
	H (mm)	2300	2500	3150	3450
<b>LOAD DIMENSIONS</b>	Maximum width (mm)	1100	1300	1500	1800
	Maximum diagonal (mm)	1750	2050	2300	2600
	Maximum height (mm)	2100 (conveyors height 500 mm) *			
<b>POWER SUPPLY</b>	Voltage	400 V 3P + N + PE 50 Hz			
	Compressed air pressure (bar)	6			
<b>STRETCH FILM</b>	Maximum height (mm)	500			
	Maximum diameter (mm)	250			
	Inner core diameter (mm)	76			
	Film thickness (µ)	hasta 35			
<b>TOP FILM</b>	Maximum Height (mm)	1600	1800	2000	2400
	Maximum diameter (mm)	300			
	Inner core diameter (mm)	76			
	Film thickness (µ)	40			

\* Possibility to adapt the frame of the machine for loads higher than 2100 mm



**MOVITEC**  
WRAPPING TECHNOLOGY



[www.movitec-ws.com](https://www.movitec-ws.com)

C. Pallars Sobirà, 16 · Pol. Industrial La Nora. 25660 · Alcoletge [Lleida] · SPAIN  
Tel.[+34] 973 184 059 · Fax [+34] 973 184 008 · comercial@movitec-ws.com