

Saturn S2

Automatic rotary ring stretch wrapper



LOW
CAPACITY
UP TO
50
pallets/hour

THE BEST ALTERNATIVE
TO THE TURNTABLE

MOVITEC

A MOSCA COMPANY

we dare to try anything

Saturn S2



Automatic rotary ring stretch wrapping machine

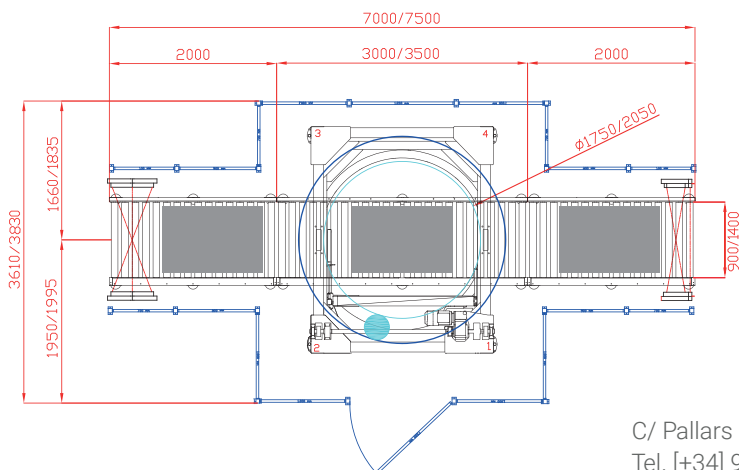
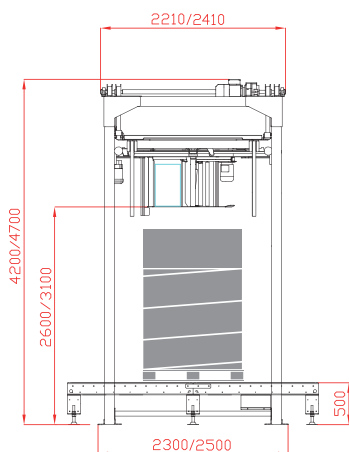
- **LOW CAPACITY: UP TO 50 pallets/hour**
- Maximum quality, high performance and minimum maintenance
- It's the best alternative to the turntable wrapping machine: more balanced, with less mechanical wear and maintenance. The load remains static: the film reels rotate around the load
- Guaranteed savings of stretch film: 300% film pre-stretching. 1 m of film becomes 4 m
- Finishing without tails of film thanks to our efficient cut and welding device
- Electronic and self-adjusting tension control depending on the profile of the load
- Possibility of applying efficient dustproof and rainproof wrappings
- Possibility of wrapping at ground level
- Capable of applying bands at any height of the load

Technical properties

- Two available diameters: Saturn S2-D17 y Saturn S2-D20
- Voltage: 3 x 400 Vac / 50Hz +PE
- Power supply: 6 kW
- Compressed air: 6 bar
- Air consumption: 34 NI/cycle
- Air consumption top film: 60 NI/cycle

STRETCH WRAPPING FILM

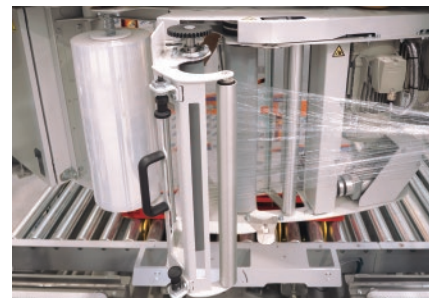
- Maximum height: 500 mm
- Maximum diameter: 250 mm
- Core diameter: 76 mm
- Film thickness: 10 - 35 μ



Standard equipment

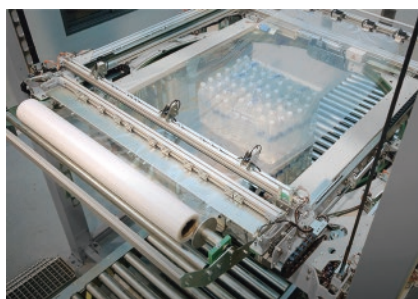


○ Touch panel

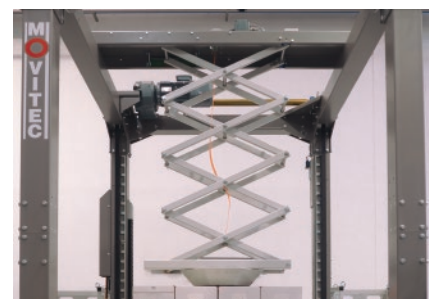


○ Quick-load

Add-ons



○ Top Cover: Dustproof and Rainproof



○ Motorized hold down plate



○ Roping device



○ ACBA: Automatic Corner Board Application