

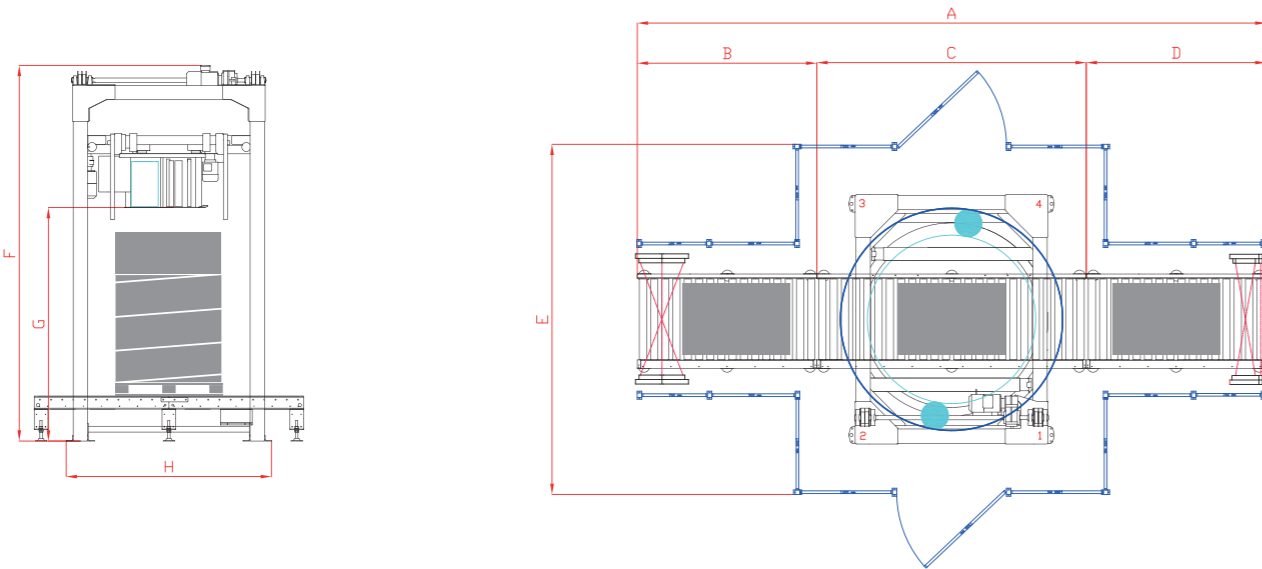
# Saturn S8

Automatic rotary ring stretch wrapper



|                           |                        | D17                                  | D20  | D23    | D26  | D29   |
|---------------------------|------------------------|--------------------------------------|------|--------|------|-------|
| <b>CAPACITY</b>           | Maximum capacity (p/h) | 160                                  | 150  | 130    | 125  | 80    |
| <b>MACHINE DIMENSIONS</b> | A (mm)                 |                                      | 7000 | 8500   |      | 10000 |
|                           | B (mm)                 |                                      | 2000 | 2500   |      | 3000  |
|                           | C (mm)                 |                                      | 3000 | 3500   |      | 4000  |
|                           | D (mm)                 |                                      | 2000 | 2500   |      | 3000  |
|                           | E (mm)                 | 4100                                 | 4300 | 4700   | 5000 | 5100  |
|                           | F (mm)                 |                                      |      | 4200 * |      |       |
|                           | G (mm)                 |                                      |      | 2600 * |      |       |
|                           | H (mm)                 | 2300                                 | 2500 | 3230   |      | 3540  |
| <b>LOAD DIMENSIONS</b>    | Maximum width (mm)     | 1100                                 | 1300 | 1500   | 1600 | 1800  |
|                           | Maximum diagonal (mm)  | 1750                                 | 2050 | 2300   | 2600 | 2900  |
|                           | Maximum height (mm)    | 2100 (altura transportador 500 mm) * |      |        |      |       |
| <b>POWER SUPPLY</b>       | Voltage                | 400 V 3P + PE 50 Hz                  |      |        |      |       |
|                           | Compressed air (bar)   | 6                                    |      |        |      |       |
| <b>STRETCH FILM</b>       | Maximum width (mm)     | 500                                  |      |        |      |       |
|                           | Maximum diameter (mm)  | 250                                  |      |        |      |       |
|                           | Core diameter (mm)     | 76                                   |      |        |      |       |
|                           | Film thickness (μ)     | 10 - 35                              |      |        |      |       |
| <b>TOP FILM</b>           | Maximum width (mm)     | 1600                                 | 1800 |        | 2000 |       |
|                           | Maximum diameter (mm)  | 250                                  |      |        |      |       |
|                           | Core diameter (mm)     | 76                                   |      |        |      |       |
|                           | Film thickness (μ)     | 15 - 90                              |      |        |      |       |

\* Possibility to adapt the frame of the machine for loads higher than 2100 mm



www.movitec-ws.com

C. Pallars Sobirà, 16 · Pol. Industrial La Nora · 25660 · Alcoletge [Lleida] · SPAIN  
Tel.[+34] 973 184 059 · Fax [+34] 973 184 008 · comercial@movitec-ws.com

# Saturn S8

Automatic rotary ring stretch wrapper

MAXIMUM  
CAPACITY  
UP TO  
**160**  
pallets/hour

THE FASTEST ONE



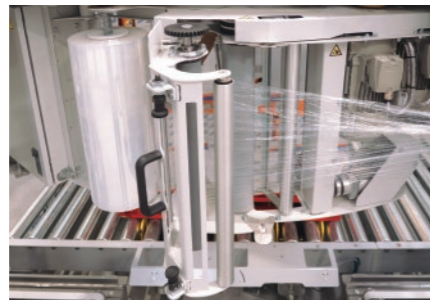
we dare to try anything

- **MAXIMUM CAPACITY: up to 160 pallets/hour**
- Maximum quality, high performance and minimum maintenance
- Double unwinding head
- The load remains static: the film reels rotate around the load
- Guaranteed savings of stretch film: 300% film pre-stretching, or up to 400% with EPS
- 1 m of film becomes 4 m
- Finishing without tails of film thanks to our efficient cut and welding device
- Electronic and self-adjusting tension control depending on the profile of the load
- Possibility of applying efficient dustproof and rainproof wrappings
- Possibility of wrapping at ground level
- Capable of applying bands at any height of the load

## Standard equipment

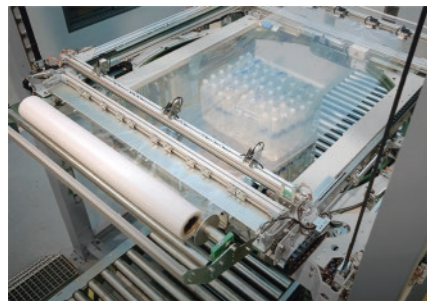


○ Touch panel

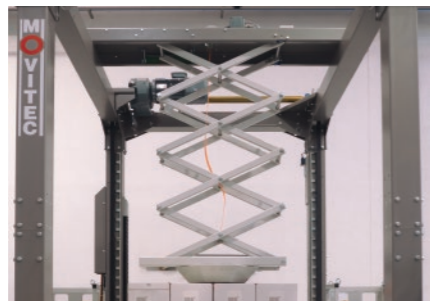


○ Quick-Load

## Add-ons



○ Top Cover: Dustproof and Rainproof



○ Motorized hold down plate



○ Roping device



○ EPS: Electronic pre-stretch



○ ARC: Automatic Reel Change



○ ACBA: Automatic Corner Board Application



**MAXIMUM  
CAPACITY  
UP TO  
160  
pallets/hour**